



SKYMAX^{series} VL-415W-182M/108

Monocrystalline PERC Module

1722×1134×35/30 182×91

Module dimensions (mm) Cell size (mm)

108 CELL 390-415Wp

Mono PERC module Power output

1500V DC 21.25%

Max. system voltage Max. efficiency



KEY FEATURES



Higher Power Output

Module power increases by 5-25% generally, bringing significantly lower LCOE and higher IRR. 0-5w positive tolerance output warranty.



Most Advanced Production Technologies

Optimize module current profile, improve system-side power generation.



Multi Busbar Technology

By improving optical utilization rate, power increases by 2~3% and efficiency increases by 0.4~0.6%.



PID Resistance

Excellent Anti-PID performance guarantee via optimized mass-production process and material control.



Low-light Performance

Excellent performance in low light.



Enhanced Mechanical Load

Certified to withstand: wind load (2400 Pa) and snow load (5400 Pa).



Durability Against Extreme Environmental Conditions

High salt mist and ammonia resistance certified by TUV NORD.



EL Full Inspection

Dual stage 100% EL Inspection warranting defect-free product.



Comprehensive Products and System Certificates

IEC61215/IEC61730/IEC61701/IEC62716

ISO 9001: Quality Management System

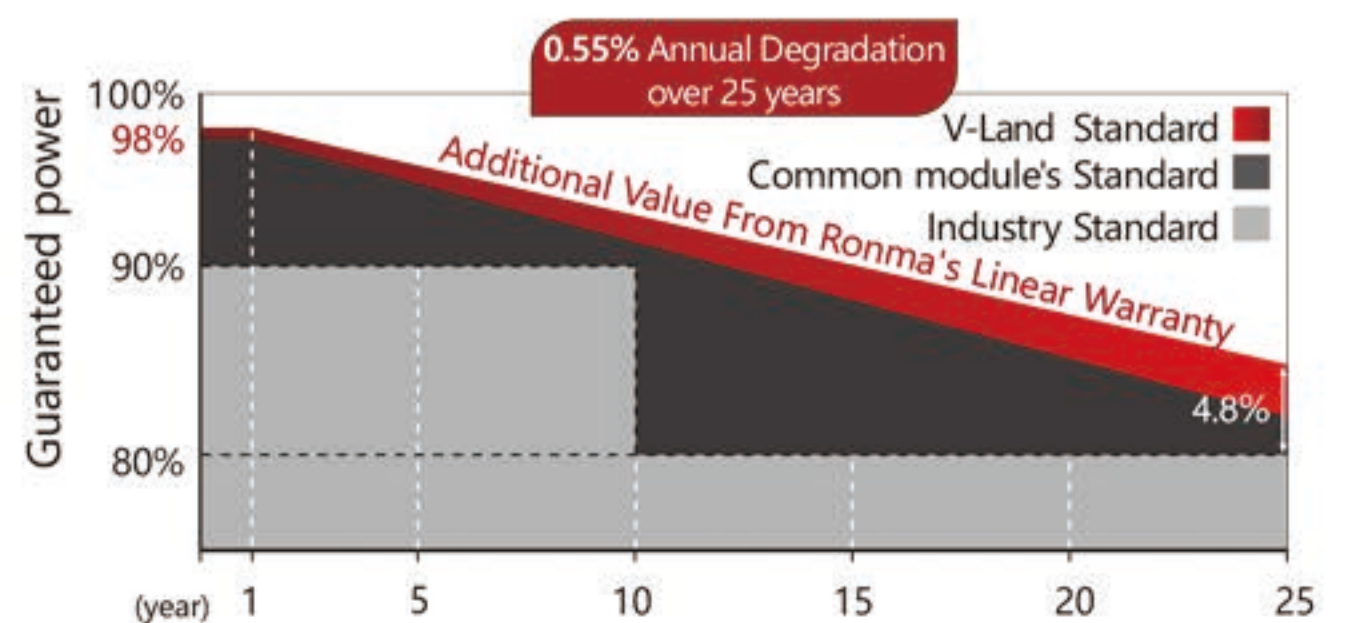
ISO 14001: Environmental Management System

ISO14064: Greenhouse Gases Emissions Verification

OHSAS 18001: Occupational Health and Safety Management System

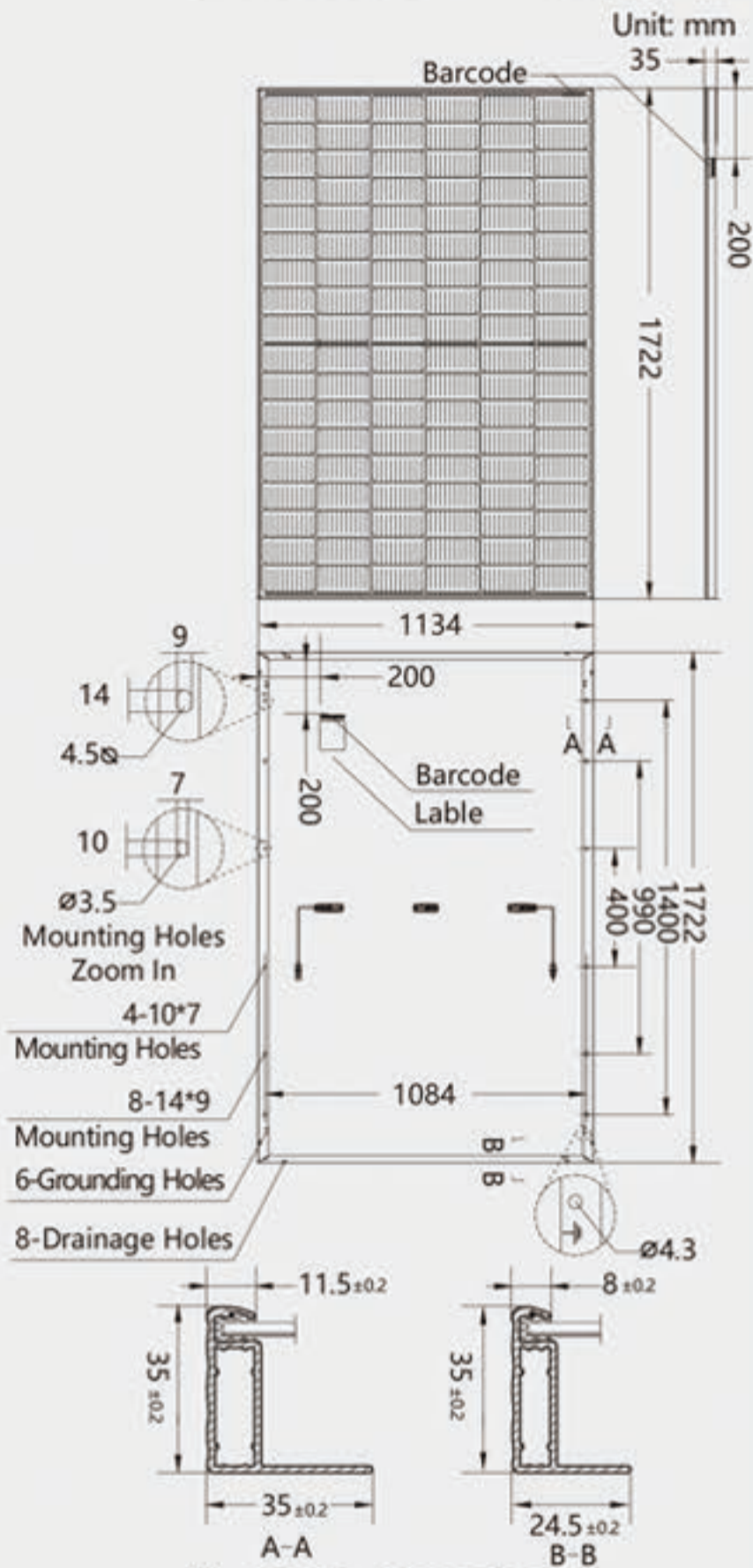
LINEAR PERFORMANCE WARRANTY

12-year product warranty / 25-year linear power warranty



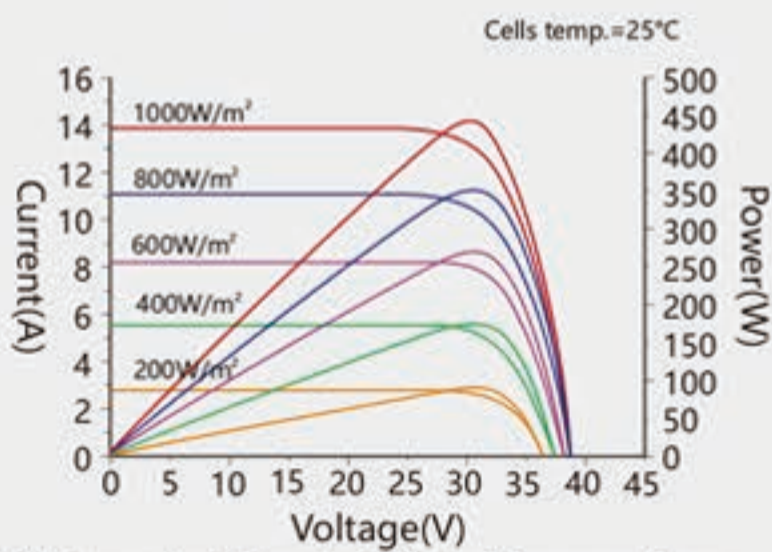


Dimensions of PV Module

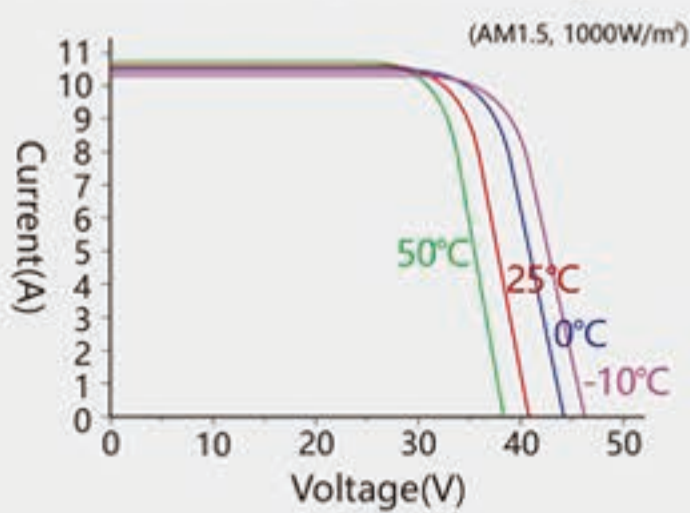


VL-410W-182M/108

I-V characteristics at different irradiances



I-V characteristics at different temperatures



ELECTRICAL DATA(STC)

Model Number	VL-390W-182M/108	VL-395W-182M/108	VL-400W-182M/108	VL-405W-182M/108	VL-410W-182M/108	VL-415W-182M/108
Rated Power in Watts-Pmax(Wp)	390	395	400	405	410	415
Open Circuit Voltage-Voc(V)	36.80	37.00	37.20	37.40	37.60	37.80
Short Circuit Current-Isc(A)	13.65	13.70	13.76	13.82	13.88	13.94
Max. Power Voltage-Vmpp(V)	30.30	30.50	30.70	30.95	31.18	31.31
Max. Power Current-Imp(A)	12.90	12.96	13.05	13.10	13.15	13.20
Module Efficiency(%)	19.97	20.23	20.48	20.74	21.00	21.25

STC: Irradiance 1000W/m², Cell Temperature 25°C, Air Mass AM 1.5,
NOCT: Irradiance at 800W/m², Ambient Temperature 20°C, Wind Speed 1m/s.

MECHANICAL DATA

Solar Cells	Monocrystalline
Cell Size	182mm×91mm
Cell Configuration	108 cells (6×9+6×9)
Module Dimensions	1722×1134×35/30mm
Weight	21.5kg
Glass	High Transmission, Low Iron, Tempered ARC Glass 3.2mm
Back Sheet	White
Frame	Anodized Aluminium Alloy type 6005 T6, Silver..... Color
J-box	PV-RM01, IP68, 1500V DC, 3 Diodes
Cables	4.0mm ² , (+) 300mm, (-) 300mm (Connector Included)
Connector	MC4-compatible

TEMPERATURE & MAXIMUM RATINGS

Nominal Operating Cell Temperature (NOCT)	44°C ± 2°C
Temperature Coefficient of Voc	-0.27%/°C
Temperature Coefficient of Isc	0.04%/°C
Temperature Coefficient of Pmax	-0.36%/°C
Operational Temperature	-40°C ~ +85°C
Max. System Voltage	1500V DC
Max. Series Fuse Rating	25A

PACKAGING CONFIGURATION

	40ft (HQ)
Number of Modules Per Container	806/936
Number of Modules Per Pallet	31/36
Number of Pallets Per Container	26
Packaging Box Dimensions (l×w×h) (mm)	1750×1120×1260
Box Gross Weight (kg)	691/799